

FONOSTRIP



ELASTOMERIC SOUND-DAMPING STRIP

CHARACTERISTICS	IMPACT ON THE ENVIRONMENT		
ACOUSTIC INSULATION	ECO GREEN	RECYCLABLE	NON-DANGEROUS WASTE

PROBLEM

Walls rigidly connected to the floor slab transmit noise also indirectly through the floors and the side walls.

SOLUTION

It is good practice to separate the wall at least from the floor slab with a strip of insulation material.

The acoustic benefit is 2÷4 dB.

Obviously, this solution should be carefully assessed if building in a seismic zone.

The use of plastic or too easily compressible materials could lead to cracks between wall and ceiling.

FONOSTRIP is an elastomeric sound-damping strip lined on both sides with a film of 4-mm

thick polypropylene fibres which, laid under the dividing walls, prevents the transmission of impact and vibrations on the floor slab.

FONOSTRIP is made of a special alloy of reinforced elastomers, with high permanent elasticity, which dampens the vibrations of the wall resting on it.

The non-woven polyester fabric reinforcement prevents deformation under loads of the elastomeric alloy, avoiding the formation of cracks between wall and ceiling.

The surface textile finish of **FONOSTRIP** ensures good adhesion to cement mortar.

If the floors of the two rooms separated by the wall are made with the "floating screed" technique, then the transmission of noise will be reduced even further.

FIELDS OF USE

FONOSTRIP is used under indoor dividing walls, dividing walls between apartments and false-ceilings of exterior perimeter walls.

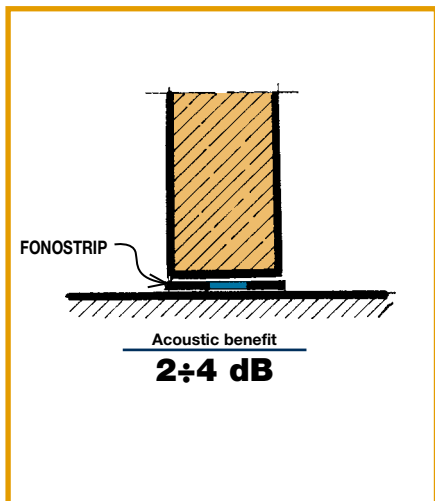
METHOD OF USE AND PRECAUTIONS

FONOSTRIP is supplied in strips of various heights and will be chosen at least 1-2 cm wider than the thickness of the wall to be insulated.

Lay the **FONOSTRIP** strip in dry state on a sufficiently smooth laying surface. Centre the wall over it, making sure that **FONOSTRIP** protrudes from both sides of the wall in order to avoid rigid connections to the floor slab, which would create "acoustic bridges".

Any mortar protruding from the insulation strip must be removed.

To guarantee insulation continuity, accurately seal the joining lines of the **FONOSTRIP** strips, using the super-adhesive SIGILTAPE.



FONOSTRIP

Thickness	4,0 mm	4,0 mm	4,0 mm	4,0 mm
Roll size	0,14x10 m	0,20x10 m	0,25x10 m	0,30x10 m
Length sound proofing foils	14 cm	20 cm	25 cm	30 cm
Waterproofing	Waterproof	Waterproof	Waterproof	Waterproof
Diffusion coefficient of aqueous vapour (sound proofing foils)	100.000 μ	100.000 μ	100.000 μ	100.000 μ
Thermal conductivity coefficient • sound proofing foils λ	0,170 W/mK	0,170 W/mK	0,170 W/mK	0,170 W/mK
Dynamic stiffness (certification ITC UNI EN 29052 p. 1°) • load 200 kg/m ² • load 400 kg/m ²	$s_t^1 = s_t^2 = 449 \text{ MN/m}^3$ $s_t^1 = s_t^2 = 937 \text{ MN/m}^3$	$s_t^1 = s_t^2 = 449 \text{ MN/m}^3$ $s_t^1 = s_t^2 = 937 \text{ MN/m}^3$	$s_t^1 = s_t^2 = 449 \text{ MN/m}^3$ $s_t^1 = s_t^2 = 937 \text{ MN/m}^3$	$s_t^1 = s_t^2 = 449 \text{ MN/m}^3$ $s_t^1 = s_t^2 = 937 \text{ MN/m}^3$

Certification



INDEX's exclusive production systems are covered by registered patents.

Considering the numerous possible uses and the possible interference of conditions or elements beyond our control, we assume no responsibility regarding the results which are obtained. The purchasers, of their own accord and under their own responsibility, must establish the suitability of the product for the envisaged use.

The figures shown are average indicative figures relevant to current production and may be changed or updated by INDEX S.p.A at any time without previous warning. The advice and technical information provided, is what results from our best knowledge regarding the properties and the use of the product.



ANIT Associated

The data in this publication is the result of laboratory tests or observations on site and this does not guarantee the repeatability of the results in equivalent systems.

• FOR ANY FURTHER INFORMATION OR ADVICE ON PARTICULAR APPLICATIONS, CONTACT OUR TECHNICAL OFFICE • IN ORDER TO CORRECTLY USE OUR PRODUCTS, REFER TO INDEX TECHNICAL SPECIFICATIONS •

index
Construction Systems and Products

Internet: www.indexspa.it
e-mail Index Export Dept.: index.export@indexspa.it

Via G. Rossini, 22 - 37060 Castel D'Azzano (VR) - Italy - C.P.67 - Tel. (+39)045.8546201 - Fax (+39)045.512444

